

MULTIFRIO2 HO Series

under canopy applications in multi-deck cooler cabinets

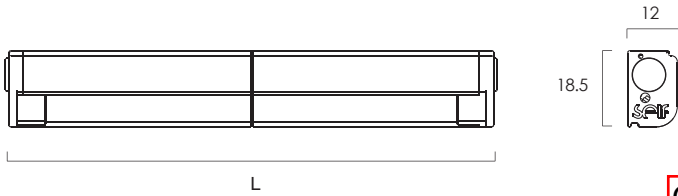


Available with three levels of power density, MULTIFRIO2 can fulfill many kinds of power requirement for different coolers. Outstanding optical lens design leads high luminous efficacy and high quality of light (Brilliant White) with No glare. Various length and connectable modules made the application extremely flexible. The superior wall-washing effect let MULTIFRIO2 an ideal application for open-air cooler canopy and shelving lighting.

Key features :

- Luminous Flux: LO(210/410/600/840) MO(350/710/1010/1420) HO(560/1120/1620/2230) lm@940
- Luminaire efficacy: LO(124/121/125) MO(117/118/119) HO112 lm/W@940
- CRI typ.: 93
- CCT: 3000K,4000K (Brilliant White)
- Chromaticity tolerance (initial MacAdam): 3 SDCM
- Life time: 50,000hrs (L80, B20, Ta=25 C , 12hours/Day)
- Luminaire input power: LO(1.7/3.4/4.8/6.7) MO(3/6/8.5/12) HO(5/10/14.5/20)W
- Dimensions: 300/600/850/1200 X 18.5 X 12mm
- Weight: 70g 145g 210g 290g

Dimensions: (mm)



Length: (mm)

MULTIFRIO2 LO-L60-24V	300
MULTIFRIO2 LO-L114-24V	600
MULTIFRIO2 LO-L162-24V	850
MULTIFRIO2 LO-L228-24V	1200
MULTIFRIO2 MO-L60-24V	300
MULTIFRIO2 MO-L114-24V	600
MULTIFRIO2 MO-L162-24V	850
MULTIFRIO2 MO-L228-24V	1200
MULTIFRIO2 HO-L60-24V	300
MULTIFRIO2 HO-L114-24V	600
MULTIFRIO2 HO-L162-24V	850
MULTIFRIO2 HO-L228-24V	1200

Canopy modul
1200mm

Specifications:

Order No.	Model	Input Voltage (V)	frequency (HZ)	Power Factor	power ⁽¹⁾ (W)	CCT ⁽²⁾ (K)	CRI (typ.)	Beam Angle	Luminous Flux ⁽³⁾ (lm)	Luminaire efficacy (lm/w)
	MULTIFRIO2 LO-L60-24V	24	-	1	1.7	3000	93	45°	200	118
						4000			210	124
	MULTIFRIO2 LO-L114-24V	24	-	1	3.4	3000	93	45°	390	115
						4000			410	121
	MULTIFRIO2 LO-L162-24V	24	-	1	4.8	3000	93	45°	570	119
						4000			600	125
	MULTIFRIO2 LO-L228-24V	24	-	1	6.7	3000	93	45°	790	118
						4000			840	125
	MULTIFRIO2 MO-L60-24V	24	-	1	3	3000	93	45°	340	113
						4000			350	117
	MULTIFRIO2 MO-L114-24V	24	-	1	6	3000	93	45°	670	112
						4000			710	118
	MULTIFRIO2 MO-L162-24V	24	-	1	8.5	3000	93	45°	950	112
						4000			1010	119
	MULTIFRIO2 MO-L228-24V	24	-	1	12	3000	93	45°	1340	112
						4000			1420	118
	MULTIFRIO2 HO-L60-24V	24	-	1	5	3000	93	45°	530	106
						4000			560	112
	MULTIFRIO2 HO-L114-24V	24	-	1	10	3000	93	45°	1040	104
						4000			1120	112
	MULTIFRIO2 HO-L162-24V	24	-	1	14.5	3000	93	45°	1530	106
						4000			1620	112
	MULTIFRIO2 HO-L228-24V	24	-	1	20	3000	93	45°	2090	105
						4000			2230	112

Model	LED power supply	Color	IP code	ta(C)	tc(C) ⁽⁴⁾	Dimmable	Dimming	Lighting control unit	Controlling	Max.Linkable (PCS) ⁽⁵⁾	Weight (g)
MULTIFRIO2 LO-L60-24V	SLT75-24VL-E	Silver	IP65	-35~35	60 C	Yes	PWM	False	-	17	70
MULTIFRIO2 LO-L114-24V										8	145
MULTIFRIO2 LO-L162-24V										6	210
MULTIFRIO2 LO-L228-24V										4	290
MULTIFRIO2 MO-L60-24V										10	70
MULTIFRIO2 MO-L114-24V										5	145
MULTIFRIO2 MO-L162-24V										3	210
MULTIFRIO2 MO-L228-24V										4	290
MULTIFRIO2 HO-L60-24V										6	70
MULTIFRIO2 HO-L114-24V										3	145
MULTIFRIO2 HO-L162-24V										4	210
MULTIFRIO2 HO-L228-24V										3	290

[1]: The minimum power is 93% of typical values.

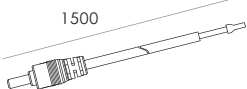
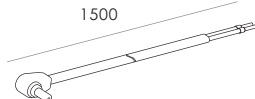
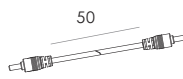
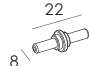
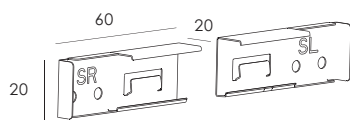
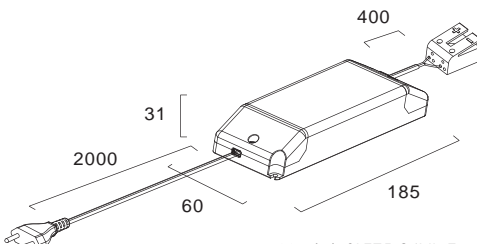
[2]: Meat color is available upon orders, please contact sales for more information.

[3]: Minimum flux is 87% of typical values, and it is measured at Ta=8 C.

[4]: Max case temperature (tc) is measured when ambient temperature (ta) is 60 C.

[5]: Based on: grand total of luminaires Power should not exceed 80% of rated power output of LED power supply.

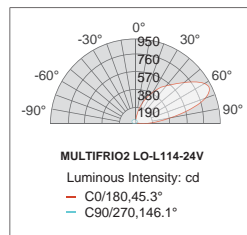
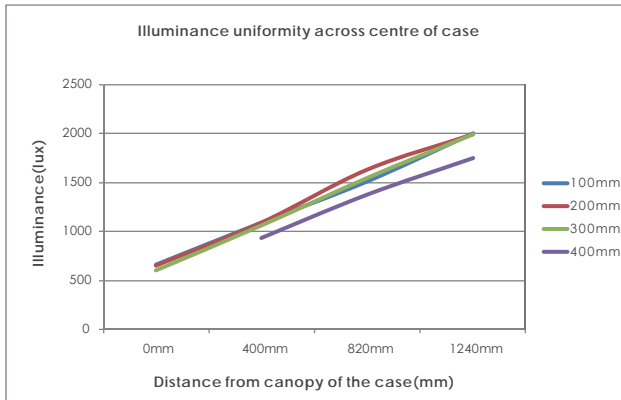
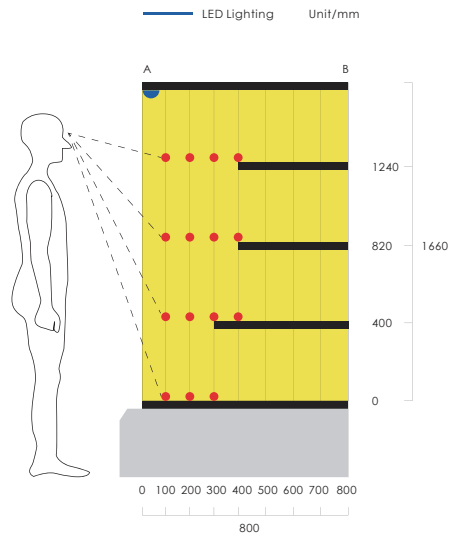
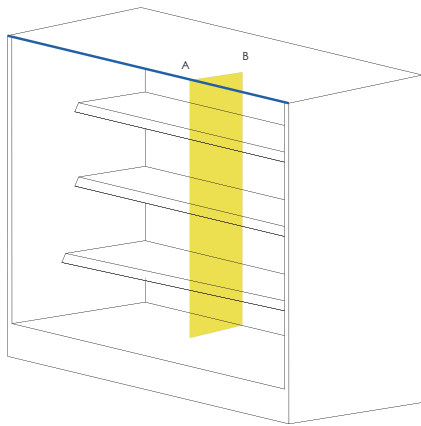
Accessories:

Order No.	Description	Length(mm)	Weight(g)
1099-013660-0137	 <p>Power-in cable x1</p>	1500	55.4
1099-013660-0135	 <p>Power-in cable with angle plug x1</p>	1500	55.4
1099-013660-0136	 <p>Extension cable x1</p>	50	12.5
1099-014180-0143	 <p>DC connector x1</p>	22	0.9
1099-013660-0134	 <p>Shelf Mounting clip x1 set</p>	-	10
1001-260021-0136	 <p>Model: SLT75-24VL-E Matching driver, max. 75 W. Input: 220 - 240 VAC, 2000 mm cable + plug Output: 24 V, 400 mm cable + 1*DSG plug</p>	-	420

Photometrics(reference):

Illuminance levels are measured inside the case, with the lux sensor simulated human visual angle.

- No contribution from ambient light.
- Illuminance value indicated are based on a HO version Luminaire.

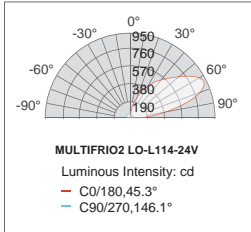
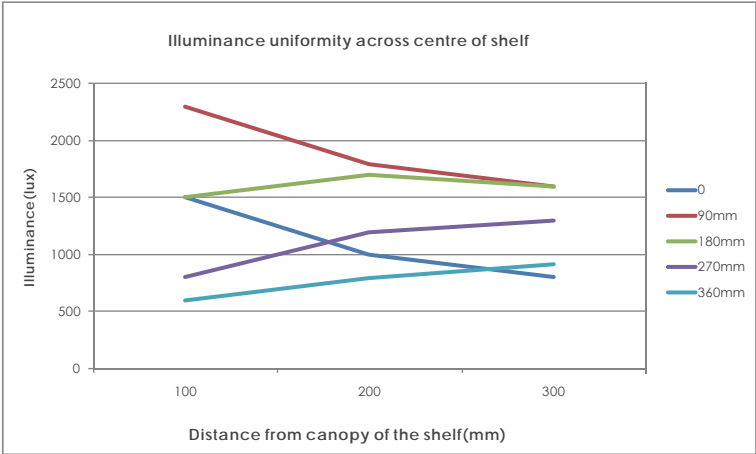
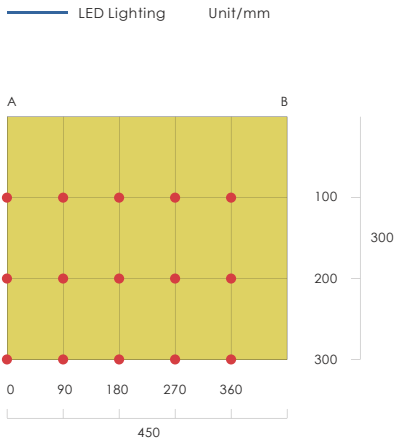
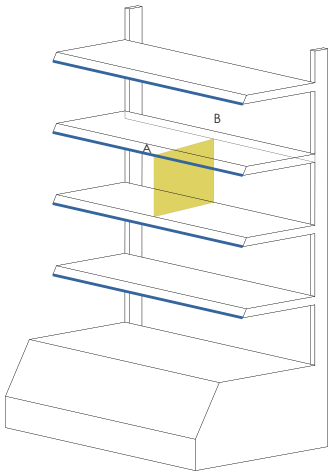


- Sensor at 100mm from the back of the luminaires
- Sensor at 200mm from the back of the luminaires
- Sensor at 300mm from the back of the luminaires
- Sensor at 400mm from the back of the luminaires

Photometrics(reference):

Illuminance levels are measured inside the case, with the lux sensor placed vertically, facing outwards.

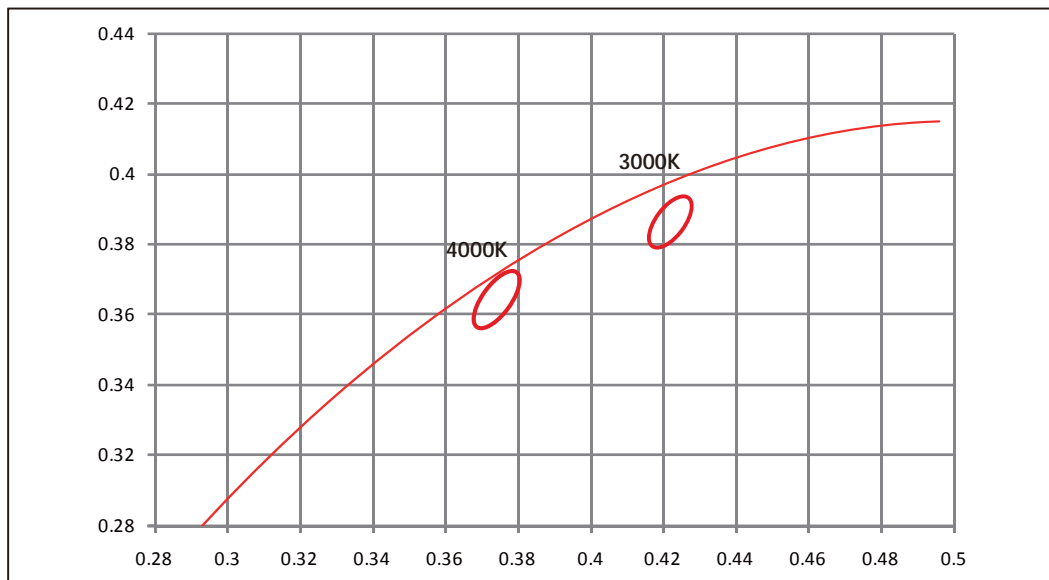
- No contribution from ambient light.
- Illuminance value indicated are based on a HO version Luminaire.



- Sensor at 0mm from the back of the luminaires
- Sensor at 90mm from the back of the luminaires
- Sensor at 180mm from the back of the luminaires
- Sensor at 270mm from the back of the luminaires
- Sensor at 360mm from the back of the luminaires

Photometrics(reference):

Color Bin Definition



— Black Body Locus

Chromaticity tolerance (initial MacAdam): 3 SDCM (3000K,4000K)

Color coordinates (CIEx, CIEy): 3000K(0.422,0.386),4000K(0.374,0.364)

Measurement precision for x ,y +/- 0.005

Certification and Safety :



Protection class: IP65

Standards:

EN60598-1,EN55015,EN62031,EN62471,EN 60335-2-89

Corresponding to IEC/EN60335-2-89 ANNEX BB, IEC/EN60335-2-24 ANNEX CC

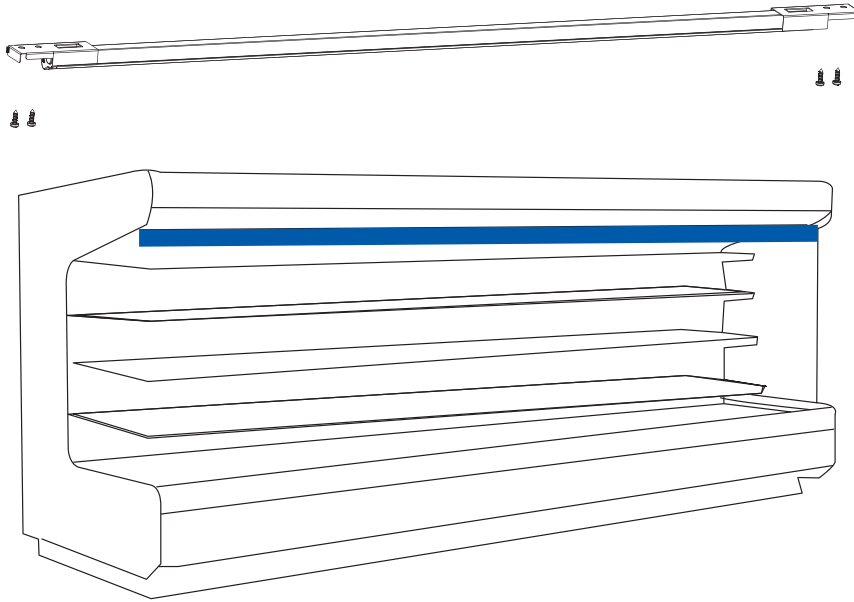
Suitable for use in commercial refrigerator with R290/R600a

Correspond to IEC/EN60335-1:Clause 8,15,16,19,22.42,29&30

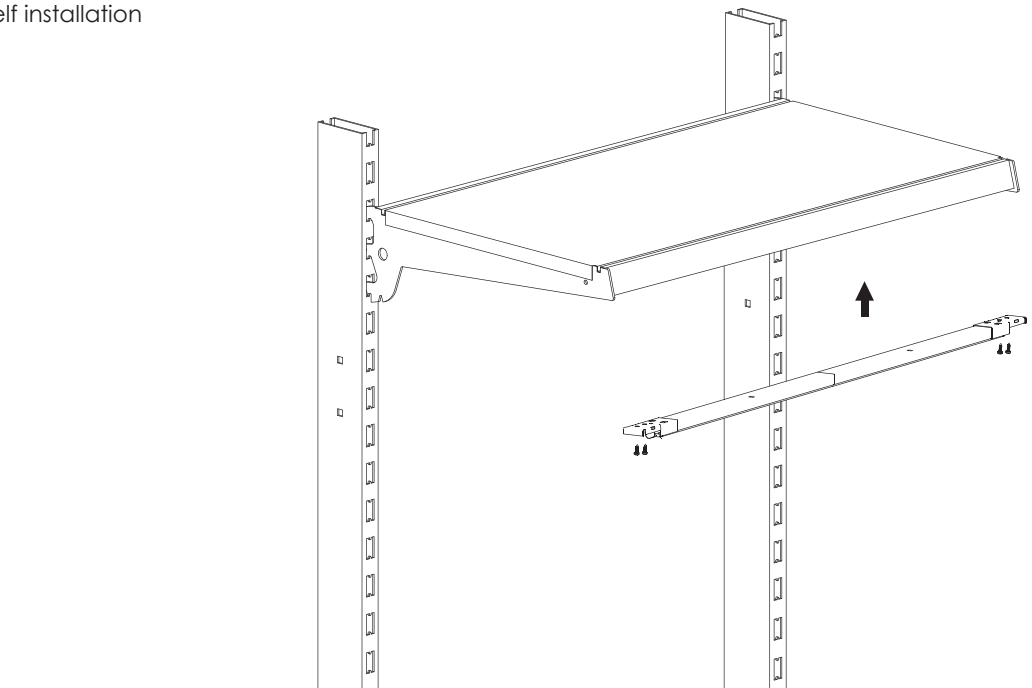


Installation:

Canopy installation



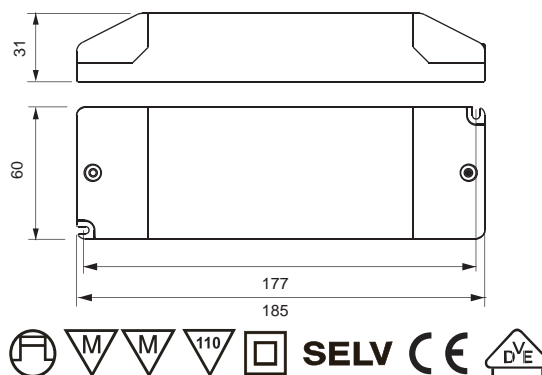
Shelf installation



LED Power Supply



Dimensions in mm



■ Characteristics

Model No.	Constant output voltage	Load	λ	t_a	t_c	L x W x H	Approval
SLT75-24VL-E	DC24V	0-75W	0.95	-20-50°C	80°C	185x60x31mm	CE

Sales & Technical Support

Self Electronics Germany GmbH

Add: August-Horch-Str. 7, 51149 Koeln
 Tel: 0049 2203 18501-0
 Fax: 0049 2203 18501-199
 E-mail: saleseu@self-electronics.com

Self Electronics Co.,Ltd.(Headquarters)

Add: No. 1345 JuXian Road, Ningbo Hi Tech Park, Ningbo, China 315103
 Tel: 0086-574-28805765, 28805658 (For English Assistance)
 0086-574-28805678 (For Chinese Assistance)
 Fax: 0086-574-28805656
 E-mail: sales@self-electronics.com
 Http://www.self-electronics.com

Self Electronics Co.,Ltd.,Shenzhen Office

Add: Room2007, Xinglang Xuan, Xinghe Mingju, Fuming Road, Futian District, Shenzhen
 Tel: 0086-755-83558850, 83558851
 Fax: 0086-755-83558840

* Due to continuous improvements and innovations, specifications may change without notice.